

**Features**

- 31½" (800) x 19¾" (500) x 8⅝" (221) butler sink.
- Double equal compartments.
- Sink is glazed on all four exterior sides. Suitable for undermount, flush mount, built-up, or above counter installation.
- Farmhouse style with a wrap around 8⅝" (221) high apron front.
- This modern, updated Butler sink accommodates the requirements of modern day life. It includes space for one faucet hole drilling. Must specify when ordering.
- Made of highest grade fireclay, which is clay heated to an extremely high 1600° making the sink hard and durable, with a beautiful high shine.
- Durability of fireclay means it is resistant to scratches and chips and is easy to clean.
- Deep bowls means more room for big pots.
- Fits 36" (914) minimum base cabinet width.

**Components**

Product includes:  
Installation Instructions

**Options**

TSGT32202 Stainless Steel Bottom Sink Grid Set  
2210R Covered Sink Strainer  
4010 Covered Disposer Strainer

**Warranty**

- Lifetime Limited Warranty

**To Be Specified:**

	Model No.	Faucet Hole Drillings
<input type="checkbox"/>	<b>FUDT32209-0</b>	<b>0</b> No Holes
<input type="checkbox"/>	<b>FUDT32209-1</b>	<b>1</b> Hole

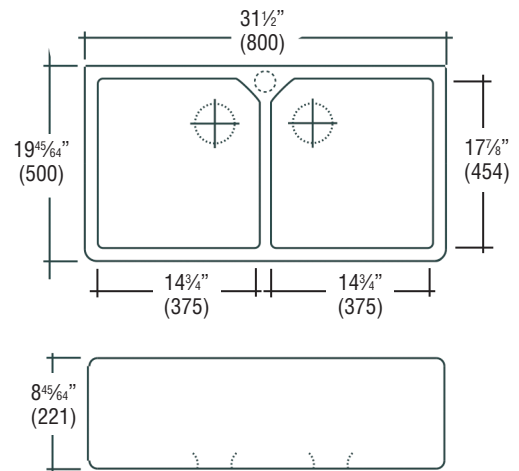
Model	<b>FUDT32209</b>
Overall Dimensions	L31½" x W19¾" x D8⅝" 800 x 502 x 221
Bowl Dimensions (Left)	L14¾" x W17⅞" x D8½" 375 x 454 x 216
Bowl Dimensions (Right)	L14¾" x W17⅞" x D8½" 375 x 454 x 216
Drain holes:	3⅝" (92mm)
Shipping Weight	88.2 lbs. 40 kg.
Material	Fireclay
Color	White
Installation	under counter mounted
Required	template, included

**Codes/Standards**

ASME A112.19.3/CSA B45.4

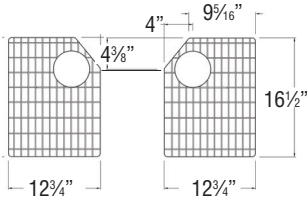
**Notes**

Install this product according to the installation instructions.

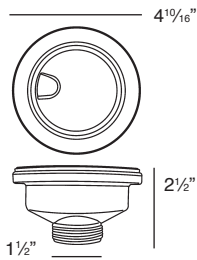


**Optional Accessories**

TSGT32202 Bottom Sink Grid Set

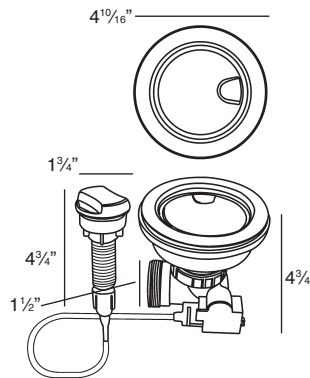


2210R Covered Flip Top Sink Strainer.



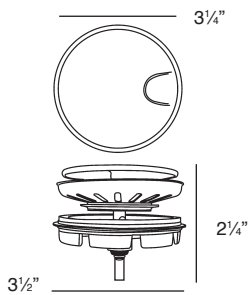
Water drains easily when cover is in place. Cover flips up with easy touch. Cover makes a flat surface at the sink bottom that prevents food waste from getting into the strainer basket for easy sink clean up. Polypropylene housing. Fits standard 3½" opening.

2310 Remote Covered Flip Top Sink Strainer.



Turn the remote knob to open and close drain. Water drains easily when cover is in place. Cover flips up with easy touch. Cover makes a flat surface at the sink bottom that prevents food waste from getting into the strainer basket for easy sink clean up. Polypropylene housing. Fits standard 3½" opening. 1⅜" hole required in countertop for remote installation. Remote cable 25½" L.

4010 Covered Flip Top Disposer Strainer.



Water drains easily when cover is in place. Cover flips up with easy touch. Polypropylene housing. Top mount installation for 3½" opening.